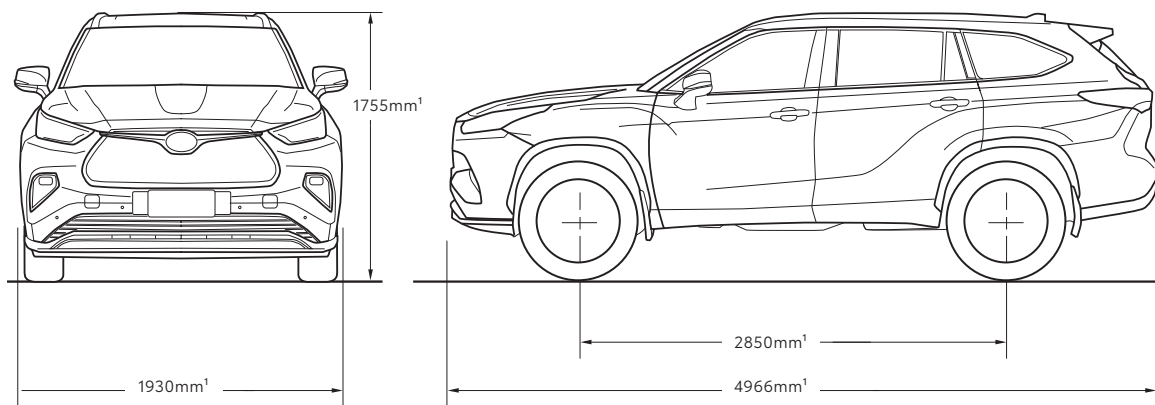


Kluger



Please Note: information is accurate as at June 2024.

Specification and imagery are indicative and should only be used as a guide. Vehicle and accessory specification, features, colour and trim may differ at the time of vehicle delivery.



MECHANICAL SPECIFICATIONS		GX/GXL/Grande	
ENGINE	Engine code	A25A-FXS	
	Engine description	2.5L Toyota Hybrid Electric System	
	Displacement (cm ³)	2487	
	Max engine power (kW/rpm)	142/6000	
	Max power (kW) – combined maximum output, petrol engine and electric motor	184	
	Max engine torque (Nm/rpm)	242/4400	
	Valve train	16-Valve DOHC	
	Bore x stroke ¹ (mm)	87.5 x 103.48	
	Compression ratio	14.0:1	
TRANSMISSION	Type	Continuously Variable Transmission (Auto CVT)	
	Driveline	AWD	
	Final drive gear ratio	3.638	
FUEL	Minimum fuel type	Premium Unleaded (95 RON)	
	Fuel economy ² (L/100km)	Combined	5.6
		Extra Urban	5.6
		Urban	6.0
Fuel capacity (L)	65		
STEERING	Steering gear type	Rack and pinion	
	Steering operation	Electronic Power Steering (EPS)	
	Turning circle (m)	11.4	
BRAKES	Brake type – front	Ventilated disc	
	Brake type – rear	Ventilated disc	

KLUGER MODEL		GX	GXL	Grande
WEIGHTS (APPROXIMATE)	Kerb weight (kg) ¹ – hybrid AWD	2050	2050	2095
	Gross Vehicle Mass ¹ (kg) – hybrid AWD	2705	2705	2750
CAPACITIES	Seating capacity	7	7	7
	Cargo space capacity (L) ¹ – with 3rd row seats folded down – with 2nd and 3rd row seats folded down	241	241	241
		552	552	552
		1150	1150	1150
Towing capacity ³ (braked) (kg)	2000	2000	2000	
WHEELS	Alloy wheels	18"	18"	
	Chromtec ^{®4} wheels			20"

KLUGER MODEL		GX	GXL	Grande
EXTERIOR	Parabola LED headlamps	•	•	
	Projector LED headlamps			•
	Daylight Running Lamps	•	•	•
	Fog lamps	•	•	•
	Heated power side mirrors	•	•	•
	Roof rails		•	•
	Shark fin antenna – black	•	•	
	Shark fin antenna – body coloured			•
	Rear privacy glass	•	•	•
	Power back door		•	
	Power back door with kick sensor			•
	2nd row retractable sunshade			•
	Panoramic glass moonroof			•
	LED rear combination lamp	•	•	•
	Grille trim – silver painted	•	•	
	Grille trim – chrome plated			•
	Body coloured door handles	•	•	•
	Painted rear lower bumper			•
	Mudguards – front and rear	•	•	•
	Rear spoiler	•	•	•
INTERIOR	60:40 split fold 2nd and 3rd row seats	•	•	•
	Sliding 2nd row seats	•	•	•
	8-way power adjustable driver and front passenger seats		•	•
	Driver and front passenger heated seats		•	
	Driver and front passenger heated and ventilated seats			•
	Fabric interior	•		
	Premium interior		•	•
	Fabric door trim with painted door ornament	•		
	Premium door trim with painted door ornament		•	
	Premium door trim with wood-look ornamentation			•
	Soft touch instrument panel – painted	•	•	
	Premium soft instrument panel – plated with ambient lighting			•
	Door handles – black resin	•		
	Door handles – plated		•	•
	Console box with middle tray	•	•	•
	USB ports – 3x front, 2x rear	•	•	•
	12V DC outlets – 2x front	•	•	•
	Leather accented steering wheel with audio controls and telephone controls	•	•	•
	Leather accented gear lever	•	•	•
	Carpet floor mats	•	•	•
	Manual tilt and telescopic steering column	•	•	•
	Front door sill metal scuff plates			•
	Interior ambient lighting			•
	Driver's seat memory			•
	Power driver seat lumbar support		•	•

KLUGER MODEL		GX	GXL	Grande
INSTRUMENTS AND CONTROLS	7" colour Multi Information Display	•	•	
	12.3" colour Multi Information Display			•
	ECO driving mode indicator zone display	•	•	•
	Automatic rain-sensing wipers	•	•	•
	3-zone automatic climate control air conditioning	•	•	•
	Front and rear power windows	•	•	•
	Smart entry and start system	•	•	•
	Auto-dimming rear view mirror			•
	Electronic Parking Brake	•	•	•
	Drive mode select – Normal, Eco and Sport	•	•	•
	Head-Up Display			•
SAFETY	Anti-lock Braking System, Brake Assist and Electronic Brake-force Distribution	•	•	•
	Vehicle Stability Control	•	•	•
	Hill-start Assist Control	•	•	•
	7 SRS airbags	•	•	•
	Seatbelt warning – available for all 7 seats	•	•	•
	Toyota Safety Sense – including Pre-Collision Safety system with pedestrian and daytime cyclist detection and Intersection Turn Assistance, Lane Departure Alert with steering assist, Automatic High Beam, Active Cruise Control (all speed) with curve speed reduction, Lane Trace Assist and Road Sign Assist (speed signs only)	•	•	•
	Blind Spot Monitor with Rear Cross Traffic Alert	•	•	•
	Rear parking sensors	•	•	•
	Front parking sensors	•	•	•
	Reversing camera with Back Guide Monitor	•	•	•
	Panoramic View Monitor			•
	3 child restraint anchorage points	•	•	•
	Luggage area hooks	•	•	•
Engine immobiliser system	•	•	•	
STORAGE	Cup holders and bottle holders	•	•	•
	Instrument panel tray	•	•	•
	Central console box	•	•	•
	Tonneau cover	•	•	•
MULTIMEDIA	Digital radio	•	•	•
	Wireless Apple CarPlay ^{5,6}	•	•	•
	Wireless Android Auto ⁷	•	•	•
	Inbuilt navigation ⁸		•	•
	8" colour touchscreen display	•		
	12.3" colour touchscreen display		•	•
	Connected navigation ⁹	•	•	•
	6-speaker sound system	•	•	•
	Bluetooth ¹⁰ connectivity	•	•	•
11-speaker JBL ⁴ premium audio system			•	
TOYOTA CONNECTED SERVICES	Toyota Connected Services ⁹ – including Safety and Security features, Multimedia Connect and Driving Insights – accessible via myToyota Connect app	12 months complimentary access		

- Weights/mass/volumes/dimensions are approximate and subject to individual vehicle variances, and should be confirmed before fitting any accessories, towing or otherwise relying on this value.
- Results achieved in ADR81/02 fuel consumption testing. Results produced in laboratory test conditions, using sample vehicles without fitment of accessories/customisation, and do not reflect real world driving. Figures should only be used for comparative purposes.
- Towing capacity subject to regulatory requirements, tow bar and vehicle design and towing equipment limitations. Ask your Dealer for Toyota Genuine tow bar capacity and availability details.
- Product and company names are trademarks of their respective owners.
- CarPlay is a trademark of Apple, Inc. registered in the U.S. and other countries.
- Requires compatible device, USB connection or Bluetooth[®] connection for vehicles fitted with wireless CarPlay/Android Auto[™], mobile data, network reception & GPS signal. Mobile usage at user's cost. Apps subject to change. For details see toyota.com.au/connected

- Android Auto[™] is a trademark of Google LLC.
- Coverage varies based on vehicle location.
- Connected Services complimentary period ends 1 year from delivery date. Fees and charges may apply thereafter. Driver assist feature only. Not a substitute for safe driving practices. Not available outside Australia, if service disabled or terminated, or after 2033/Telstra 4G sunset (whichever comes first). Only activates if vehicle's DCM detects airbag deployment or impact sensor notification. Dependent on 3G/4G enabled DCM, GPS signal strength, mobile network coverage, operational related components and other factors outside Toyota's control which can limit the ability or functionality of system. Check your Owner's Manual or toyota.com.au/connected for explanation of limitations. Please drive safely.
- Bluetooth[®] is a registered trademark of Bluetooth SIG, Inc.

IMPORTANT NOTICE – PLEASE READ:

Toyota Australia uses its best endeavours to ensure material is accurate at the time of publishing. All information must be confirmed with your Toyota Dealer at the time of ordering, as specifications, applicability and availability may change over time. Colours depicted are a guide only and may vary from actual colours due to the printing/display process. Toyota Australia reserves the right to change and/or discontinue, without notice, models, prices, colours, materials, equipment, specifications. To the extent permitted by law, Toyota Australia will not be liable for any damage or loss incurred from

relying on the information and images contained in this material. Distributed nationally (other than in Western Australia) by Toyota Motor Corporation Australia Limited ABN 64 009 686 097. Material distributed in Western Australia by or on behalf of Prestige Motors Pty Ltd (for vehicles) and by Eastpoint Pty Ltd (for parts/accessories). Toyota Australia makes no warranties regarding (and will not be liable for) accuracy of materials distributed in Western Australia. PROOF HQ: T2024-021227. GTO-008179-01. VERSION: JUNE 2024.