

A HiLux built for every need

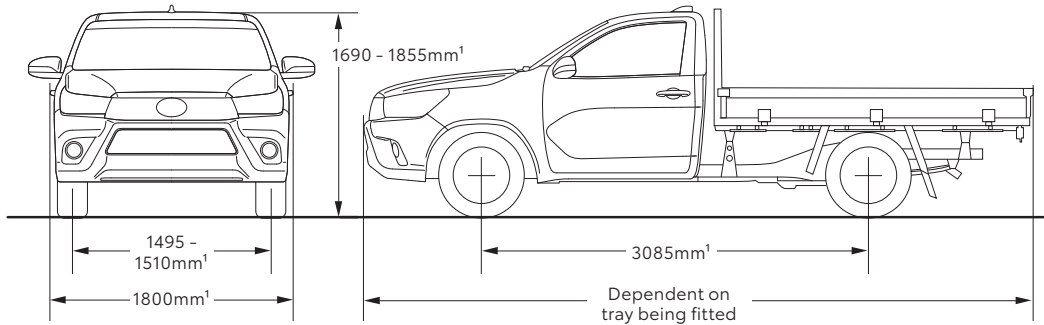


Please Note: information is accurate as at September 2024.

Specification and imagery are indicative and should only be used as a guide. Vehicle and accessory specification, features, colour and trim may differ at the time of vehicle delivery.

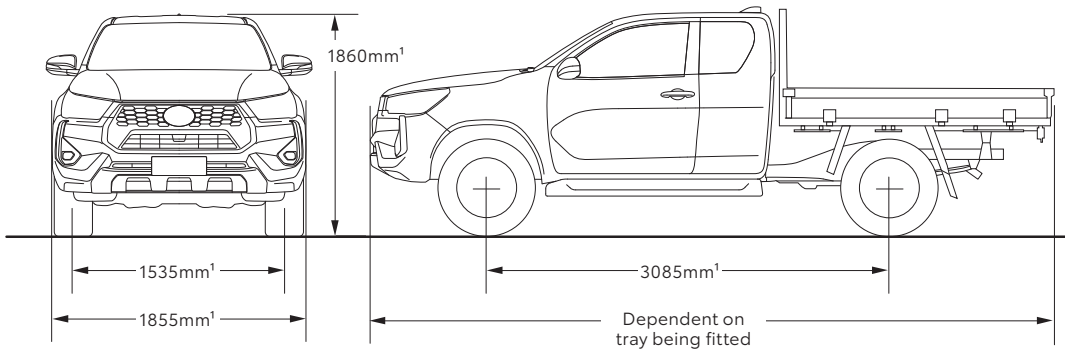
Single-Cab

Single-Cab Cab-Chassis

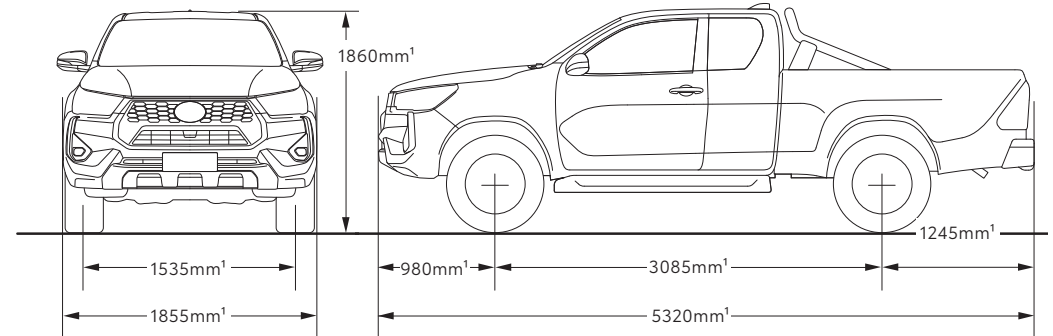


Extra-Cab

Extra-Cab Cab-Chassis



Extra-Cab Pick-Up



IMPORTANT NOTICE - PLEASE READ: Toyota Australia uses its best endeavours to ensure material is accurate at the time of publishing. All information must be confirmed with your Toyota Dealer at the time of ordering, as specifications, applicability and availability may change over time. Colours depicted are a guide only and may vary from actual colours due to the printing/display process. Toyota Australia reserves the right to change and/or discontinue, without notice, models, prices, colours, materials, equipment, specifications. To the extent permitted by law, Toyota Australia will not be liable for any damage or loss incurred from relying on the information and images contained in this material. Distributed nationally (other than in Western Australia) by Toyota Motor Corporation Australia Limited ABN 64 009 686 097. Material distributed in Western Australia by or on behalf of Prestige Motors Pty Ltd (for vehicles) and by Eastpoint Pty Ltd (for parts/accessories). Toyota Australia makes no warranties regarding (and will not be liable for) accuracy of materials distributed in Western Australia. PROOF HQ: T2024-021338. GTO-008322. VERSION: SEPTEMBER 2024.

A HiLux built for every need

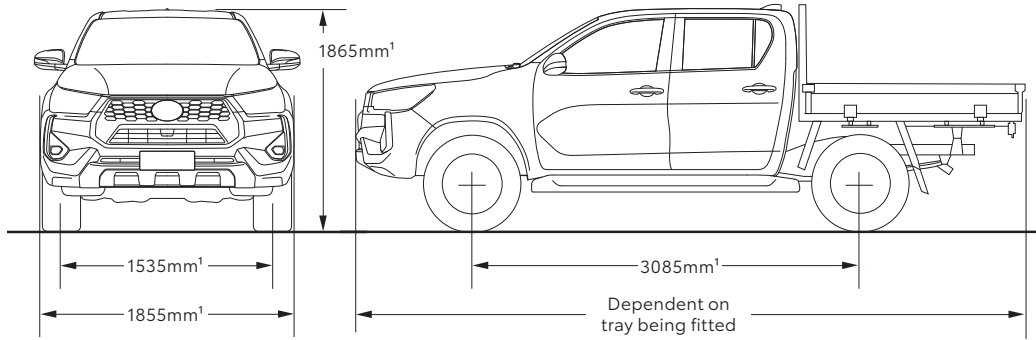


Please Note: information is accurate as at September 2024.

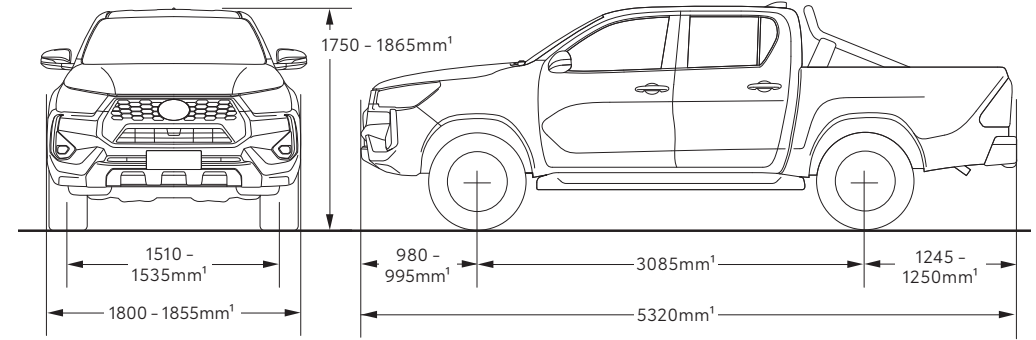
Specification and imagery are indicative and should only be used as a guide. Vehicle and accessory specification, features, colour and trim may differ at the time of vehicle delivery.

Double-Cab

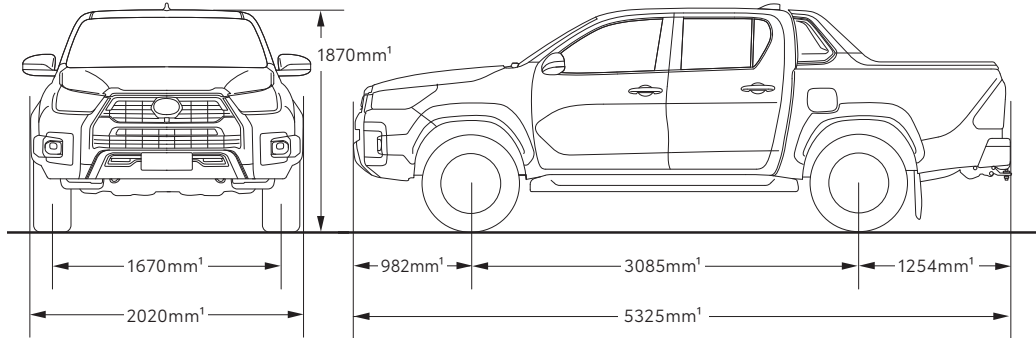
Double-Cab Cab-Chassis



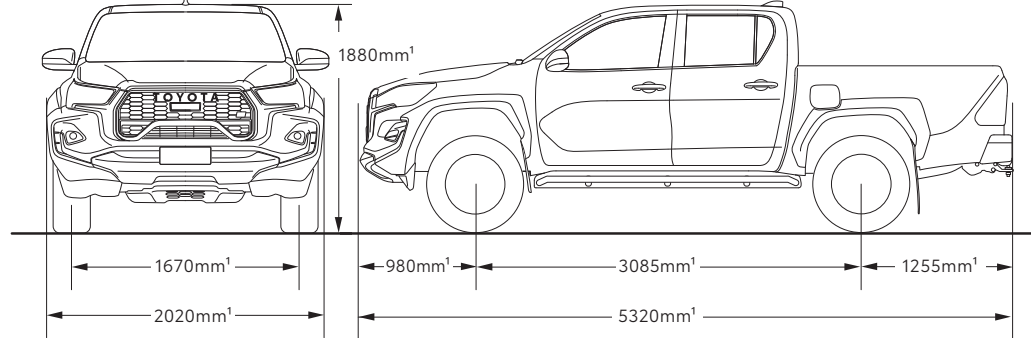
Double-Cab Pick-Up



Double-Cab Pick-Up Rogue



Double-Cab Pick-Up GR Sport



IMPORTANT NOTICE - PLEASE READ: Toyota Australia uses its best endeavours to ensure material is accurate at the time of publishing. All information must be confirmed with your Toyota Dealer at the time of ordering, as specifications, applicability and availability may change over time. Colours depicted are a guide only and may vary from actual colours due to the printing/display process. Toyota Australia reserves the right to change and/or discontinue, without notice, models, prices, colours, materials, equipment, specifications. To the extent permitted by law, Toyota Australia will not be liable for any damage or loss incurred from relying on the information and images contained in this material. Distributed nationally (other than in Western Australia) by Toyota Motor Corporation Australia Limited ABN 64 009 686 097. Material distributed in Western Australia by or on behalf of Prestige Motors Pty Ltd (for vehicles) and by Eastpoint Pty Ltd (for parts/accessories). Toyota Australia makes no warranties regarding (and will not be liable for) accuracy of materials distributed in Western Australia. PROOF HQ: T2024-021338. GTO-008322. VERSION: SEPTEMBER 2024.

HiLux 4X2 and HiLux Hi-Rider



4X2 HILUX GRADE	Engine Type	Transmission	Cab	Style
HiLux WorkMate	Petrol	Automatic	Single-Cab	Cab-Chassis
			Double-Cab	Pick-Up
	Manual	Single-Cab	Cab-Chassis	

4X2 HI-RIDER HILUX GRADE	Engine Type	Transmission	Cab	Style
HiLux WorkMate	Turbo diesel	Automatic	Double-Cab	Pick-Up
		Manual	Single-Cab	Cab-Chassis
HiLux SR	Turbo diesel	Automatic	Extra-Cab	Pick-Up
			Double-Cab	Pick-Up

HILUX 4X2 AND HI-RIDER		2.7L petrol		2.4L turbo diesel		2.8L turbo diesel	
ENGINE	Engine code	2TR-FE		2GD-FTV		1GD-FTV	
	Displacement (cm ³)	2694		2393		2755	
	Maximum power (kW@rpm)	122 @ 5200		110 @ 3400		150 @ 3000-3400	
	Maximum torque (Nm@rpm)	245 @ 4000		400 @ 1600-2000		500 @ 1600-2800	
	Valve train	16-valve DOHC, with Dual VVT-i		16-valve DOHC		16-valve DOHC	
	Fuel system	Electronic fuel injection		Fuel injection with common rail		Fuel injection with common rail	
	Bore x stroke (mm)	95.0 x 95.0		92.0 x 90.0		92.0 x 103.6	
	Compression ratio	10.2:1		15.6:1		15.6:1	
TRANSMISSION	Type	Manual	Automatic	Manual	Automatic	Automatic	
	Number of ratios	5-speed		6-speed		6-speed	
	Ratios (:1)	1st 4.313; 2nd 2.330; 3rd 1.436 4th 1.000; 5th 0.838; Rev 4.220	1st 3.600; 2nd 2.090; 3rd 1.488 4th 1.000; 5th 0.687; 6th 0.580; Rev 3.732	1st 4.784; 2nd 2.423; 3rd 1.443; 4th 1.000; 5th 0.777; 6th 0.643; Rev 4.066	1st 3.600; 2nd 2.090; 3rd 1.488; 4th 1.000; 5th 0.687; 6th 0.580; Rev 3.732	1st 3.600; 2nd 2.090; 3rd 1.488 4th 1.000; 5th 0.687; 6th 0.580; Rev 3.732	
	Differential ratio (rear) (:1)	4.100		3.583		4.100	

HILUX 4X2 AND HI-RIDER			4x2		4x2 Hi-Rider			
BODY TYPE			Single-Cab	Double-Cab	Single-Cab	Extra-Cab	Double-Cab	
GRADE			WorkMate	WorkMate	WorkMate	SR	WorkMate	SR
ENGINE			Petrol	Petrol	Turbo diesel	Turbo diesel	Turbo diesel	Turbo diesel
TRAY TYPE			Cab-Chassis	Pick-Up	Cab-Chassis	Pick-Up	Pick-Up	Pick-Up
MECHANICAL	Fuel consumption ² (L/100km) – manual / automatic	Combined	11.1 / 10.9	10.4	7.4	7.5	7.5	7.5
		Extra Urban	9.4 / 9.6	8.6	6.8	6.6	6.6	6.6
		Urban	14.0 / 13.1	13.4	8.3	8.9	9.0	8.9
	Diesel particulate filter (manual burn off) switch				•	•	•	•
	2.4L turbo diesel				•		•	
	2.8L turbo diesel					•		•
	2.7L petrol		•	•				
	5-speed manual transmission		•					
	6-speed manual transmission				•			
6-speed automatic transmission		•	•		•	•	•	
DIMENSIONS (APPROXIMATE)	Length / width / height ¹ (mm)		5265 / 1800 / 1690	5330 / 1800 / 1750	5265 / 1800 / 1855	5320 / 1855 / 1860	5320 / 1855 / 1865	5320 / 1855 / 1865
	Wheelbase ¹ (mm)		3085	3085	3085	3085	3085	3085
	Track – front / rear ¹ (mm)		1510 / 1510	1510 / 1510	1495 / 1510	1535 / 1550	1535 / 1550	1535 / 1550
	Overhang – front / rear ¹ (mm)		995 / 990	990 / 1245	995 / 990	980 / 1245	980 / 1250	980 / 1245
WEIGHT (APPROXIMATE)	Maximum kerb weight manual ¹ (kg)		1495		1665			
	Maximum kerb weight automatic ¹ (kg)		1510	1795		1970	1975	1965
	Gross Vehicle Mass ¹ (GVM) (kg)		2700	2780	2900	3050	3050	2980
	Gross Combined Mass ¹ (GCM) (kg)		5200	5250	5650	5650	5650	5650
TOWING CAPACITY³	With trailer brakes (kg) – manual / automatic		2500	2500	2800	2800	2800	2800
	Without trailer brakes (kg)		750	750	750	750	750	750
SEATING	Capacity		2	5	2	4	5	5
FUEL TANK	Capacity (L)		80	80	80	80	80	80
STEERING	Steering gear type		Rack & Pinion					
BRAKES	System		Vacuum boosted hydraulic system					
	Front / rear		Ventilated disc brake with floating single piston caliper / Leading-trailing drum brake			Ventilated disc brake with opposed 4-piston caliper / Leading-trailing drum brake		
SUSPENSION	Front / rear		Double wishbone / Leaf spring rigid axle					
WHEELS AND TYRES	Wheels		16"	16"	17"	17"	17"	17"
	Tyres		215 / 65R16C	215 / 65R16C	225 / 70R17C	265 / 65R17	265 / 65R17	265 / 65R17

HILUX 4X2 AND HI-RIDER		WorkMate		SR	
		Single-Cab	Double-Cab	Extra-Cab	Double-Cab
BODY TYPE					
EXTERIOR	Side steps			•	•
	Rear privacy glass				
	Mould-in colour front bumper and grille – non-facelifted models	•	•		
	Body colour front bumper with silver painted lower bumper – facelifted models			•	•
	Body colour front bumper with black lower bumper – facelifted models		•		
	Body colour grille surround with gloss black upper grille surround – facelifted models				
	Body colour grille surround – facelifted models		•	•	•
	Front and rear mud guards		•	•	•
	Black colour door handles	•	•		
	Body colour door handles			•	•
	Gloss black colour door handles				
	Black colour tailgate handle				
	LED headlamps				
	Automatic headlamp levelling				
	Front LED fog lamps				
	Automatic headlamps	•	•	•	•
	Halogen Daytime Running Lamps (DRLs)	•	•	•	•
	LED Daytime Running Lamps (DRLs)				
	Black colour side mirror	•	•	•	•
	Gloss black colour side mirror				
	Electric retractable side mirror				
Shark fin antenna	•	•	•	•	
Towbar					
INTERIOR	Premium gear knob				
	Premium steering wheel				
	Chrome parking brake				
	Chrome interior door handles				
	Fabric interior with black door trim	•	•	•	•
	Fabric interior with silver colour door trim				
	Durable vinyl floor covering	•	•	•	•
	Carpet floor				
	4.2" colour Multi Information Display	•	•	•	•
	Front air-conditioned cooler box			•	•

HILUX 4X2 AND HI-RIDER		WorkMate		SR	
		Single-Cab	Double-Cab	Extra-Cab	Double-Cab
BODY TYPE					
SEATING	Standard fabric seats	•	•		
	Premium fabric seats			•	•
	Driver and front passenger bucket seats	•	•		
	Premium driver and front passenger bucket seats			•	•
	60:40 split rear seat				•
FEATURES	Smart entry and smart start				
	Wireless phone charger				
	Front tow hooks	•	•	•	•
	Power front windows	•	•	•	•
	Power rear windows		•		•
	Driver's automatic up/down window	•	•	•	•
	All-door automatic up/down window				
	Air conditioning – manual	•	•	•	•
	Front dual-zone climate control air conditioning				
	Tailgate lift assist and damper – Pick-Up only			•	•
220V accessory socket					
INSTRUMENTS AND CONTROLS	Power steering	•	•	•	•
	Drive mode select			•	•
	Manual tilt/telescopic steering column	•	•	•	•
	Variable intermittent windscreen wipers			•	•
	Steering wheel switches with telephone and voice recognition	•	•	•	•
	Steering wheel mounted audio controls	•	•	•	•
	Power adjustable mirrors	•	•	•	•
	Power accessory socket	1	1	1	1
	Eco lamp	•	•	•	•
	Trip meter	•	•	•	•
STORAGE	Large glove box	•	•	•	•
	Front cup holder/s – in dash	•	•	•	•
	Rear cup holders – in arm rest				•
	Front door pockets	•	•	•	•
	Centre console box with lid	Auto Only	•	•	•
MULTIMEDIA	8" colour touchscreen display with AM/FM tuner	•	•	•	•
	Apple CarPlay ^{®4,6} and Android Auto ^{™,5,6} – speak to your Dealer about device compatibility	•	•	•	•
	Satellite navigation and DAB+ digital radio				
	USB input	•	•	•	•
	Bluetooth ^{®7} connectivity	•	•	•	•
	Number of speakers	2	2	4	6

HILUX 4X2 AND HI-RIDER		WorkMate		SR	
		Single-Cab	Double-Cab	Extra-Cab	Double-Cab
BODY TYPE					
TOYOTA CONNECTED SERVICES⁹	Toyota Connected Services ⁹	3 years complimentary access ⁹			
	myToyota Connect ⁹ app	•	•	•	•
	Stolen Vehicle Tracking ¹⁰	•	•	•	•
	Automatic Collision Notification ¹¹	•	•	•	•
	SOS Emergency Call ¹²	•	•	•	•
SAFETY	Toyota Safety Sense – including Lane Departure Alert, Pre-Collision Safety system with pedestrian and daytime cyclist detection, Road Sign Assist (speed signs only) and Active Cruise Control (high speed)	•	•	•	•
	Blind Spot Monitor				
	Rear Cross Traffic Alert				
	Panoramic View Monitor				
	Anti-lock Braking System	•	•	•	•
	Vehicle Stability Control	•	•	•	•
	Traction Control	•	•	•	•
	Electronic Brake-force Distribution	•	•	•	•
	Parking sensors				•
	Reversing camera		•	•	•
	Hill-start Assist Control	•	•	•	•
	Emergency Stop Signal	•	•	•	•
	7 SRS airbags	•	•	•	•
	Driver and front passenger seatbelt warning buzzer	•	•	•	•
	Trailer Sway Control	•	•	•	•
	Door ajar warning light	•	•	•	•
Engine immobiliser	•	•	•	•	
SECURITY	Alarm	•	•	•	•
	Power door locks	•	•	•	•
	Remote keyless entry	•	•	•	•
	Lockable glove box	•	•	•	•

IMPORTANT NOTICE – PLEASE READ: Toyota Australia uses its best endeavours to ensure material is accurate at the time of publishing. All information must be confirmed with your Toyota Dealer at the time of ordering, as specifications, applicability and availability may change over time. Colours depicted are a guide only and may vary from actual colours due to the printing/display process. Toyota Australia reserves the right to change and/or discontinue, without notice, models, prices, colours, materials, equipment, specifications. To the extent permitted by law, Toyota Australia will not be liable for any damage or loss incurred from relying on the information and images contained in this material. Distributed nationally (other than in Western Australia) by Toyota Motor Corporation Australia Limited ABN 64 009 686 097. Material distributed in Western Australia by or on behalf of Prestige Motors Pty Ltd (for vehicles) and by Eastpoint Pty Ltd (for parts/accessories). Toyota Australia makes no warranties regarding (and will not be liable for) accuracy of materials distributed in Western Australia. PROOF HQ: T2024-021338. GTO-008322. VERSION: SEPTEMBER 2024.

HiLux 4X4



4X4 HILUX GRADE	Engine Type	Transmission	Cab	Style
HiLux WorkMate	Turbo diesel	Automatic	Extra-Cab	Cab-Chassis
			Double-Cab	Cab-Chassis
		Manual	Single-Cab	Pick-Up
HiLux SR	Turbo diesel	Automatic	Single-Cab	Cab-Chassis
			Extra-Cab	Cab-Chassis
			Double-Cab	Pick-Up
		Manual	Single-Cab	Cab-Chassis
			Extra-Cab	Cab-Chassis
			Double-Cab	Pick-Up
	Turbo diesel with V-Active (48V)	Automatic	Double-Cab	Cab-Chassis
				Pick-Up
HiLux SR5	Turbo diesel	Automatic	Extra-Cab	Pick-Up
		Manual	Double-Cab	Pick-Up
	Turbo diesel with V-Active (48V)	Automatic	Double-Cab	Cab-Chassis
				Pick-Up
HiLux Rogue	Turbo diesel with V-Active (48V)	Automatic	Double-Cab	Pick-Up
HiLux GR Sport	Turbo diesel	Automatic	Double-Cab	Pick-Up

HILUX – 4X4		2.4L turbo diesel	2.8L turbo diesel		2.8L turbo diesel V-Active (48V) technology	2.8.L turbo diesel GR Sport
ENGINE	Engine code	2GD-FTV	1GD-FTV		1GD-FTV 48V	1GD-FTV
	Displacement (cm ³)	2393	2755		2755	2755
	Maximum power (kW/rpm)	110 @ 3400	150 @ 3400 M/T, 150 @ 3000-3400 A/T		150 @ 3000-3400 A/T	165 @ 3000 A/T
	Maximum torque (Nm/rpm)	400 @ 1600-2000	420 @ 1400-3400 M/T, 500 @ 1600-2800 A/T		500 @ 1600-2800 A/T	550 @ 1600-2800 A/T
	Valve train	16-valve DOHC	16-valve DOHC		16-valve DOHC	16-valve DOHC
	Fuel system	Fuel injection with common rail	Fuel injection with common rail		Fuel injection with common rail	Fuel injection with common rail
	Fuel capacity (L)	80	80		80	80
	Bore x stroke (mm)	92.0 x 90.0	92.0 x 103.6		92.0 x 103.6	92.0 x 103.6
	Compression ratio	15.6	15.6		15.6	15.6
TRANSMISSION	Type	Automatic	Manual	Automatic	Automatic	Automatic
	Number of ratios	6-speed	6-speed	6-speed	6-speed	6-speed
	Ratios (:1)	1st 3.600; 2nd 2.090; 3rd 1.488; 4th 1.000; 5th 0.687; 6th 0.580; Rev 3.732	1st 4.784; 2nd 2.423; 3rd 1.443; 4th 1.000; 5th 0.826; 6th 0.643; Rev: 4.066	1st 3.600; 2nd 2.090; 3rd 1.488; 4th 1.000; 5th 0.687; 6th 0.580 Rev 3.732	1st 3.600; 2nd 2.090; 3rd 1.488; 4th 1.000; 5th 0.687; 6th 0.580; Rev 3.732	1st 3.600; 2nd 2.090; 3rd 1.488; 4th 1.000; 5th 0.687; 6th 0.580; Rev 3.732
	Differential ratio (rear) (:1)	4.100	3.583	3.909	3.909	3.909

HILUX – 4X4			Body Type																
BODY TYPE			Single-Cab		Extra-Cab			Double-Cab											
GRADE			WorkMate	SR	WorkMate	SR	SR5	WorkMate		SR				SR5			Rogue	GR Sport	
ENGINE			Turbo diesel	Turbo diesel	Turbo diesel	Turbo diesel	Turbo diesel	Turbo diesel	Turbo diesel	Turbo diesel	Turbo diesel	Turbo diesel w V-Active (48V)	Turbo diesel w V-Active (48V)	Turbo diesel	Turbo diesel w V-Active (48V)	Turbo diesel w V-Active (48V)	Turbo diesel w V-Active (48V)		
TRAY TYPE			Cab-Chassis	Cab-Chassis	Cab-Chassis	Cab-Chassis	Pick-Up	Cab-Chassis	Pick-Up	Cab-Chassis	Pick-Up	Cab-Chassis	Pick-Up	Pick-Up	Cab-Chassis	Pick-Up	Pick-Up		
MECHANICAL	Fuel consumption ² (L/100km) – manual / automatic	Combined	7.4	7.8 / 8.0	8.0	7.8 / 8.0	7.9	8.0	8.6	8.0 / 8.4	7.4 / 7.9	7.6	7.4	8.0	7.6	7.2	7.8	8.1	
		Extra Urban	6.8	7.3 / 7.4	7.4	7.3 / 7.4	7.0	7.4	8.1	7.5 / 7.8	6.7 / 7.0	7.4	6.9	7.5	7.4	6.7	7.7	7.5	
		Urban	8.3	8.6 / 9.1	9.0	8.6 / 9.1	9.4	9.0	9.6	8.7 / 9.3	8.8 / 9.4	7.9	8.2	8.7	7.9	8.0	8.0	9.2	
	Diesel particulate filter (manual burn off) switch		•	•	•	•	•	•	•	•	•	•	•	•	•	•	•	•	•
	2.4L turbo diesel		•	•	•	•	•	•	•	•	•	•	•	•	•	•	•	•	•
	2.8L turbo diesel		•	•	•	•	•	•	•	•	•	•	•	•	•	•	•	•	•
	2.8L turbo diesel with V-Active (48V) technology		•	•	•	•	•	•	•	•	•	•	•	•	•	•	•	•	•
	6-speed manual transmission		•	•	•	•	•	•	•	•	•	•	•	•	•	•	•	•	•
	6-speed automatic transmission		•	•	•	•	•	•	•	•	•	•	•	•	•	•	•	•	•
DIMENSIONS (APPROXIMATE)	Length / width / height ¹ (mm)		5265 / 1800 / 1855	5265 / 1800 / 1855	5280 / 1855 / 1860	5280 / 1855 / 1860	5320 / 1855 / 1860	5260 / 1855 / 1865	5320 / 1855 / 1865	5260 / 1855 / 1865	5320 / 1855 / 1865	5260 / 1855 / 1865	5320 / 1855 / 1865	5320 / 1855 / 1865	5260 / 1855 / 1865	5320 / 1855 / 1865	5325 / 2020 / 1870	5320 / 2020 / 1880	
	Wheelbase ¹ (mm)		3085	3085	3085	3085	3085	3085	3085	3085	3085	3085	3085	3085	3085	3085	3085	3085	
	Track – front / rear ¹ (mm)		1495 / 1510	1495 / 1510	1535 / 1550	1535 / 1550	1535 / 1550	1535 / 1550	1535 / 1550	1535 / 1550	1535 / 1550	1535 / 1550	1535 / 1550	1535 / 1550	1535 / 1550	1535 / 1550	1670 / 1705	1670 / 1705	
	Overhang – front / rear ¹ (mm)		1000 / 990	1000 / 990	995 / 990	995 / 990	980 / 1245	995 / 990	980 / 1245	995 / 990	995 / 990	995 / 990	980 / 1245	980 / 1245	995 / 990	980 / 1245	982 / 1254	980 / 1255	
WEIGHT (APPROXIMATE)	Maximum kerb weight manual ¹ (kg)		1800	1825	1935	1935	2085	1965	2115	1990	2110	2010	2135	2160	2020	2150	2286	2270	
	Maximum kerb weight automatic ¹ (kg)		1825	1950	1945	2085	1965	2115	1990	2110	2010	2135	2160	2020	2150	2286	2270		
	Gross Vehicle Mass ¹ (GVM) (kg)		3050	3050	3050	3100	3100	3050	3050	3050	3050	3050	3050	3050	3050	3050	3050	3050	
	Gross Combined Mass ¹ (GCM) (kg)		5850	5850	5850	5850	5850	5850	5850	5850	5850	5850	5850	5850	5850	5850	5850	5850	
TOWING CAPACITY ³	With trailer brakes (kg)		3500	3500	3500	3500	3500	3500	3500	3500	3500	3500	3500	3500	3500	3500	3500	3500	
	Without trailer brakes (kg)		750	750	750	750	750	750	750	750	750	750	750	750	750	750	750	750	
SEATING	Capacity		2	2	4	4	4	5	5	5	5	5	5	5	5	5	5		
STEERING	Steering gear type		Rack & Pinion																
BRAKES	System		Vacuum boosted hydraulic system																
	Front / rear		Ventilated disc brake with opposed 4-piston caliper / Leading-trailing drum brake													Ventilated disc brake with opposed 4-piston caliper / Ventilated disc brake with floating caliper 1-cylinder			
SUSPENSION	Front / rear		Double wishbone / Leaf spring rigid axle																
WHEELS AND TYRES	Wheels		17"	17"	17"	17"	18"	17"	17"	17"	17"	17"	17"	18"	18"	18"	18"	17"	
	Tyres		225 / 70 R17C	225 / 70 R17C	265 / 65 R17	265 / 65 R17	265 / 60 R18	265 / 65 R17	265 / 65 R17	265 / 65 R17	265 / 65 R17	265 / 65 R17	265 / 65 R17	265 / 60 R18	265 / 60 R18	265 / 60 R18	265 / 60 R18	265 / 65 R17	

HILUX – 4X4		WorkMate			SR			SR5		Rogue	GR Sport	
		Single-Cab	Extra-Cab	Double-Cab	Single-Cab	Extra-Cab	Double-Cab	Extra-Cab	Double-Cab	Double-Cab	Double-Cab	
BODY TYPE												
INTERIOR	Premium gear knob							•	•			
	Rogue gear knob									•		
	GR Sport gear knob										•	
	Steering wheel paddle shifters										•	
	Premium steering wheel							•	•	•		
	GR Sport steering wheel										•	
	Chrome parking brake							•	•	•	•	
	Chrome interior door handles							•	•	•	•	
	Fabric with black colour door trim	•	•	•	•	•	•					
	Fabric with silver colour door trim							•	•			
	Leather accented with silver colour door trim								Optional			
	Rogue leather accented door trim with illumination									•		
	GR Sport leather accented door trim										•	
	Durable vinyl floor covering	•	•	•	•	•	•					
	Carpet floor							V-Active (48V) only	•	•	•	•
	Rear Air Vent									•	•	•
Front air-conditioned cooler box				•	•	•	•	•	•	•	•	
4.2" colour Multi Information Display	•	•	•	•	•	•	•	•	•	•	•	
SEATING	Driver and passenger bucket seats	•	•	•	•	•		•				
	Premium driver and passenger bucket seats							•	•	•		
	Sport driver and passenger bucket seats										•	
	60:40 split rear seat			•				•		Manual only		
	60:40 split rear seat – only 40 side accessible							V-Active (48V) only		Auto only	•	
	Rogue leather accented seats									•		
	Standard fabric seats	•	•	•								
	Premium fabric seats				•	•	•	•	•			
	Leather accented seats								Optional	•		
	GR Sport suede and leather accented seats										•	
	Power operated driver and manually operated front passenger seat slide, reclining and height adjustment								Optional	•	•	
	Heated front seats								Optional	•	•	

HILUX – 4X4		WorkMate			SR			SR5		Rogue	GR Sport
BODY TYPE		Single-Cab	Extra-Cab	Double-Cab	Single-Cab	Extra-Cab	Double-Cab	Extra-Cab	Double-Cab	Double-Cab	Double-Cab
MULTIMEDIA	8" colour touchscreen display with AM/FM tuner	•	•	•	•	•	•	•	•	•	•
	Apple CarPlay ^{5,7} and Android Auto ^{TM,6,7} – speak to your Dealer about device compatibility	•	•	•	•	•	•	•	•	•	•
	Satellite navigation and DAB+ digital radio							•	•	•	•
	USB input	•	•	•	•	•	•	•	•	•	•
	Bluetooth ⁸ connectivity	•	•	•	•	•	•	•	•	•	•
	JBL ⁹ premium audio									•	•
	Number of speakers	2	2	2	2	4	6	4	6	9	9
TOYOTA CONNECTED SERVICES ¹⁰	Toyota Connected Services ¹⁰	3 years complimentary access ⁹									
	myToyota Connect ^{10,11} app	•	•	•	•	•	•	•	•	•	•
	Stolen Vehicle Tracking ^{12,13}	•	•	•	•	•	•	•	•	•	•
	Automatic Collision Notification ^{12,14}	•	•	•	•	•	•	•	•	•	•
	SOS Emergency Call ^{12,16}	•	•	•	•	•	•	•	•	•	•
SAFETY	Toyota Safety Sense ¹⁶ – including Lane Departure Alert, Pre-Collision Safety system with pedestrian and daytime cyclist detection, Road Sign Assist (speed signs only) and Active Cruise Control (high speed)	•	•	•	•	•	•	•	•	•	•
	Vehicle Stability Control	•	•	•	•	•	•	•	•	•	•
	Traction Control	•	•	•	•	•	•	•	•	•	•
	Electronic Brake-force Distribution	•	•	•	•	•	•	•	•	•	•
	Hill-start Assist Control	•	•	•	•	•	•	•	•	•	•
	Downhill Assist Control – Pick-Up only						Auto Only	•	•	•	•
	Trailer Sway Control (TSC)	•	•	•	•	•	•	•	•	•	•
	Auto Limited Slip Differential (LSD)	•	•	•	•	•	•	•	•	•	•
	Rear differential lock				•	•	•	•	•	•	•
	Anti-lock Braking System	•	•	•	•	•	•	•	•	•	•
	Emergency Stop Signal	•	•	•	•	•	•	•	•	•	•
	Blind Spot Monitor								Pick-Up only	•	•
	Rear Cross Traffic Alert								Pick-Up only	•	•
	Parking sensor – Pick-Up only						V-Active (48V) only	•	Pick-Up only	•	•
	Reversing camera – Pick-Up only			•			•	•	•	•	•
	7 SRS airbags	•	•	•	•	•	•	•	•	•	•
Panoramic View Monitor								Pick-Up only	•	•	

HILUX – 4X4		WorkMate			SR			SR5		Rogue	GR Sport
BODY TYPE		Single-Cab	Extra-Cab	Double-Cab	Single-Cab	Extra-Cab	Double-Cab	Extra-Cab	Double-Cab	Double-Cab	Double-Cab
SECURITY	Engine immobiliser	•	•	•	•	•	•	•	•	•	•
	Alarm	•	•	•	•	•	•	•	•	•	•
	Power door locks	•	•	•	•	•	•	•	•	•	•
	Remote keyless entry	•	•	•	•	•	•	•	•	•	•

- Weights/mass/volumes/dimensions are approximate and subject to individual vehicle variances, and should be confirmed before fitting any accessories, towing or otherwise relying on this value.
- Results achieved in ADR81/02 fuel consumption testing. Results produced in laboratory test conditions, using sample vehicles without fitment of accessories/customisation, and do not reflect real world driving. Figures should only be used for comparative purposes.
- Towing capacity subject to regulatory requirements, and vehicle and equipment design limitations. Ask your Dealer for more information, including Toyota Genuine tow bar capacity and availability.
- Tow ball, tongue and wiring harness sold separately. See your Toyota Dealer to confirm Toyota Genuine Accessories suitable for your vehicle prior to ordering, as specifications, applicability, availability and fitment requirements may change over time. Consider combined mass of load and accessories to ensure gross vehicle mass limits are not exceeded. Refer to toyota.com.au/vehiclepayload for information. Fitment of certain accessories may require recalibration, relocation or removal of standard equipment (which may be retained by Toyota).
- CarPlay® is a trademark of Apple, Inc. registered in the U.S. and other countries.
- Android Auto™ is a trademark of Google LLC.
- Requires compatible device, USB connection, mobile data, network reception and GPS signal. Mobile usage at user's cost. Apps subject to change. For details see toyota.com.au/connected
- Bluetooth® is a registered trademark of Bluetooth SIG, Inc.
- Product and company names are trademarks of their respective owners.
- Complimentary period ends 3 years from delivery date. Fees may apply thereafter. See toyota.com.au/connected/plans-packages
- Not available outside Australia, if services disabled or terminated or after 2033/Telstra 4G sunset (whichever comes first). Dependent on 3G/4G enabled DCM, GPS signal strength, mobile network coverage and other factors outside Toyota's control which can limit ability or functionality of system. Check your Owner's Manual or toyota.com.au/connected for explanation of limitations. Please drive safely.

IMPORTANT NOTICE – PLEASE READ:

Toyota Australia uses its best endeavours to ensure material is accurate at the time of publishing. All information must be confirmed with your Toyota Dealer at the time of ordering, as specifications, applicability and availability may change over time. Colours depicted are a guide only and may vary from actual colours due to the printing/display process. Toyota Australia reserves the right to change and/or discontinue, without notice, models, prices, colours, materials, equipment, specifications. To the extent permitted by law, Toyota Australia will not be liable for any

- The myToyota Connect App supports vehicles with a Build date from 2009 onwards, with or without Toyota Connected Services. A range of vehicles are equipped with Toyota Connected Services. Features vary by model. Fees & limitations apply. See toyota.com.au/mytoyota-home/connect-overview for more information.
- Dependent on operational related components and other factors outside Toyota's control which can limit ability or functionality of system. Check your Owner's Manual for explanation of limitations. Please drive safely.
- Not available outside Australia, if service disabled or terminated, or after 2033/Telstra 4G sunset (whichever comes first). Dependent on sufficient battery power, 3G/4G enabled DCM, GPS signal strength, mobile network coverage, operational related components and other factors outside Toyota's control which can limit the ability or functionality of system. Owner/driver required to obtain Police report. Vehicle location information, if available, only provided to Police. Vehicle recovery not guaranteed. For details, visit toyota.com.au/connected/faq-support
- Driver assist feature only. Not a substitute for safe driving practices. Not available outside Australia, if service disabled or terminated, or after 2033/Telstra 4G sunset (whichever comes first). Only activates if vehicle's DCM detects airbag deployment or impact sensor notification. Dependent on 3G/4G enabled DCM, GPS signal strength, mobile network coverage, operational related components and other factors outside Toyota's control which can limit the ability or functionality of system. Check your Owner's Manual or toyota.com.au/connected for explanation of limitations. Please drive safely.
- Driver assist feature only. Not a substitute for safe driving practices. Not available outside Australia, if service disabled or terminated, or after 2033/Telstra 4G sunset (whichever comes first). Only operates if vehicle's SOS button is pressed and vehicle ignition is on. Dependent on 3G/4G enabled DCM, GPS signal strength, mobile network coverage, call centre capabilities and other factors outside Toyota's control which can limit ability or functionality of system. Check your Owner's Manual or toyota.com.au/connected for explanation of limitations. Please drive safely.
- Driver assist feature. Only operates under certain conditions. Check your Owner's Manual for explanation of limitations. Please drive safely.

damage or loss incurred from relying on the information and images contained in this material. Distributed nationally (other than in Western Australia) by Toyota Motor Corporation Australia Limited ABN 64 009 686 097. Material distributed in Western Australia by or on behalf of Prestige Motors Pty Ltd (for vehicles) and by Eastpoint Pty Ltd (for parts/accessories). Toyota Australia makes no warranties regarding (and will not be liable for) accuracy of materials distributed in Western Australia. PROOF HQ: T2024-021338. GTO-008322. VERSION: SEPTEMBER 2024.