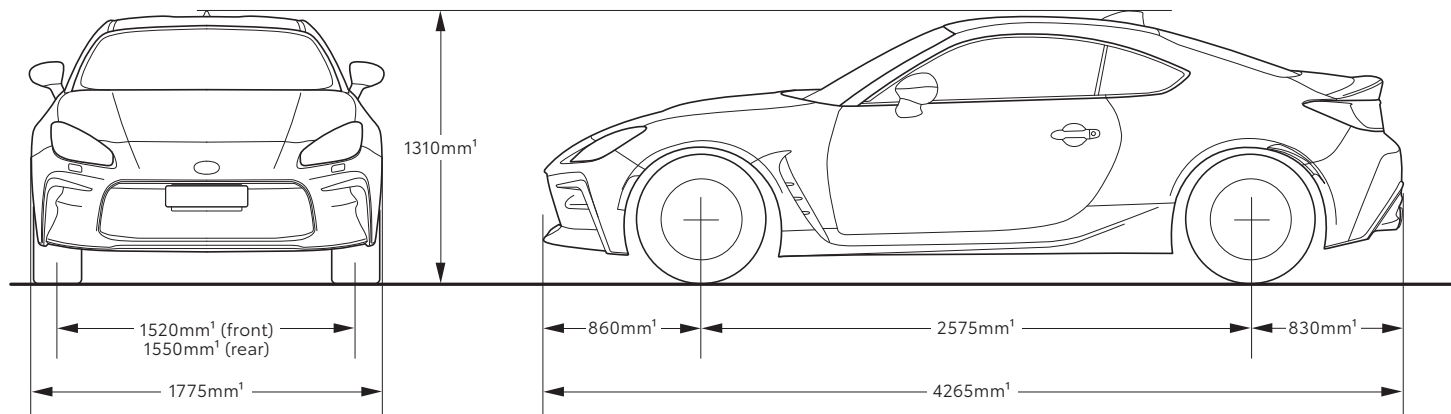


GR86



Please Note: information is accurate as at January 2024.

Specification and imagery are indicative and should only be used as a guide. Vehicle and accessory specification, features, colour and trim may differ at the time of vehicle delivery.



GR86		GT	GTS	
ENGINE	Description	2.4L 4-cylinder Boxer (FA24)		
	Max power ² (kW@rpm)	174kW@7000		
	Max torque ² (Nm@rpm)	250Nm@3700		
	Valve train	16-valve DOHC		
	Bore x stroke (mm)	94.0 x 86.0		
	Compression ratio	12.5:1		
FUEL	Fuel consumption ³ (L/100km)	Combined	Auto 8.7; Manual 9.4	Auto 8.8; Manual 9.5
		Extra Urban	Auto 6.3; Manual 7.2	Auto 6.4; Manual 7.3
		Urban	Auto 12.7; Manual 13.2	Auto 13.0; Manual 13.3
	Fuel capacity (L)	50		
TRANSMISSION	Transmission	6-speed manual or 6-speed automatic		
	Rear LSD Ratio – automatic transmission	3.909		
	Rear LSD Ratio – manual transmission	4.1		
STEERING, BRAKES AND SUSPENSION	Power steering system	Electric		
	Brake control system	Anti-lock Braking System (ABS) with Electronic Brake-force Distribution (EBD), Brake Assist (BA), Traction Control (TRC), Vehicle Stability Control (VSC), Hill-start Assist Control, Emergency Brake Signal System (ESS)		
	Ventilated front and rear brake discs	•		
	Brembo™ brakes ⁴	Optional (Dynamic Performance Pack)		
	Front suspension – MacPherson strut type	•		
	Rear suspension – Double wishbone	•		
	SACHS™ suspension ⁴	Optional (Dynamic Performance Pack)		
	Stabiliser Bar – front	Torsion bar 18mm		
	Stabiliser Bar – rear	Torsion bar 15mm		
WHEELS	Design and style	17" alloy wheels	18" alloy wheels	
	Puncture repair kit	•		
WEIGHTS (APPROXIMATE)	Kerb weight ⁵ (max) – automatic transmission (kg)	1309	1318	
	Kerb weight ⁵ (max) – manual transmission (kg)	1289	1298	
	Gross vehicle weight ⁵ – automatic transmission (kg)	1700	1700	
	Gross vehicle weight ⁵ – manual transmission (kg)	1670	1670	
CAPACITIES	Seating capacity	4	4	

GR86		GT	GTS
EXTERIOR	Dual exhaust tail pipes with diffuser	•	•
	Power fold and heated outside rear view mirrors	•	•
	LED headlamp with auto levelling and headlamp cleaner	•	•
	LED diffused Daytime Running Lights (DRL)	•	•
INTERIOR	Black fabric interior	•	
	Black Ultrasuede® ⁶ and leather accented seats		•
	Driver and front passenger heated seats		•
	Floor mats	•	•
	2 x cup holders	•	•
	Manual tilt and telescopic steering wheel adjustment	•	•
	Premium 3-spoke steering wheel	•	•
	Premium 3-spoke steering wheel with paddle shift (Automatic only)	•	•
	Premium shift lever/knob	•	•
	Premium parking brake lever	•	•
	Door courtesy lamp		•
	Premium door scuff plate		•
	Sports pedals		•
INSTRUMENTS AND CONTROLS	Cruise control	•	•
	Dual-zone automatic climate control air conditioning	•	•
	Digital Dash Cluster with 7" colour LCD Multi Information Display (MID)	•	•
	Steering wheel controls	•	•
	Tyre pressure sensors	•	•
	Smart entry and start system	•	•
SAFETY	7 SRS airbags	•	•
	Seat belt warning – driver and front passenger	•	•
	Reversing camera	•	•
	Automatic High Beam	•	•
	Automatic Emergency Braking (AEB)	•	•
	Lane Departure Alert	•	•
	Parking support brake and rear parking sensors – automatic only	•	•
	Rear Cross Traffic Alert		•
	Blind Spot Monitor		•
	Anti-lock Braking System (ABS)	•	•
	Vehicle Stability Control (VSC)	•	•
	Hill-start Assist Control (HAC)	•	•
	Anti-lock Braking System (ABS)	•	•
SECURITY	Engine immobiliser	•	•
MULTIMEDIA	8" colour touchscreen display with Bluetooth® ⁷ connectivity	•	•
	2 x USB ⁸ port, 3.5mm AUX ⁸ input	•	•
	Apple CarPlay® ⁹ and Android Auto™, ⁹	•	•
	6 speakers	•	•

1 Weights/mass/volumes/dimensions are approximate and subject to individual vehicle variances, and should be confirmed before fitting any accessories, towing or otherwise relying on this value.
2 Power and torque test standards differ. Ensure comparisons use same test standard.
3 Results achieved in ADR81/02 fuel consumption testing. Results produced in laboratory test conditions, using sample vehicles without fitment of accessories/customisation, and do not reflect real world driving. Figures should only be used for comparative purposes.
4 Product and company names are trademarks of their respective owners.

5 Weights/mass/volumes/dimensions are approximate and subject to individual vehicle variances, and should be confirmed before fitting any accessories, towing or otherwise relying on this value.
6 Ultrasuede® is a registered trademark owned by Toray Industries, Inc.
7 Bluetooth® is a registered trademark of Bluetooth SIG, Inc.
8 Compatibility and functionality varies depending on device.
9 CarPlay® is a trademark of Apple, Inc. registered in the U.S. and other countries. Android Auto™ is a trademark of Google LLC.

IMPORTANT NOTICE – PLEASE READ: Toyota Australia uses its best endeavours to ensure material is correct when published. Check with your authorised Toyota dealer when ordering to ensure the vehicle with your chosen specifications, equipment and colour is available and can be delivered within the timeframe suitable to you. When ordering accessories, check with your authorised Toyota dealer to ensure the accessory's design, features and colours are available and fit your vehicle. Ensure the mass of your load does not exceed the maximum allowable individual axle capacity, Gross Vehicle Mass and/or Gross Combined Mass of the vehicle. Refer to toyota.com.au for further details. Colours displayed are a guide only and may vary from actual colours due to printing/display processes. Certain accessories when fitted will require the removal of standard equipment, which may be retained by Toyota Australia or your Toyota Dealer. Toyota Australia reserves the right to change, without notice, prices, colours, materials, equipment, specifications and discontinue colours/models. To the extent permitted by law, Toyota Australia will not be liable for any damage, loss or expense incurred as a result of reliance on this material in any way. Distributed nationally (other than in Western Australia) by Toyota Motor Corporation Australia Limited ABN 64 009 686 097, 155 Bertie St, Port Melbourne 3207. Material distributed in Western Australia by or on behalf of Prestige Motors Pty Ltd (for vehicles) and by Eastpoint Pty Ltd (for parts/accessories). Toyota Australia makes no warranties regarding (and will not be liable for) accuracy of materials distributed in Western Australia. PROOF HQ: T2023-020865. GTP-006514-01. VERSION: JANUARY 2024.