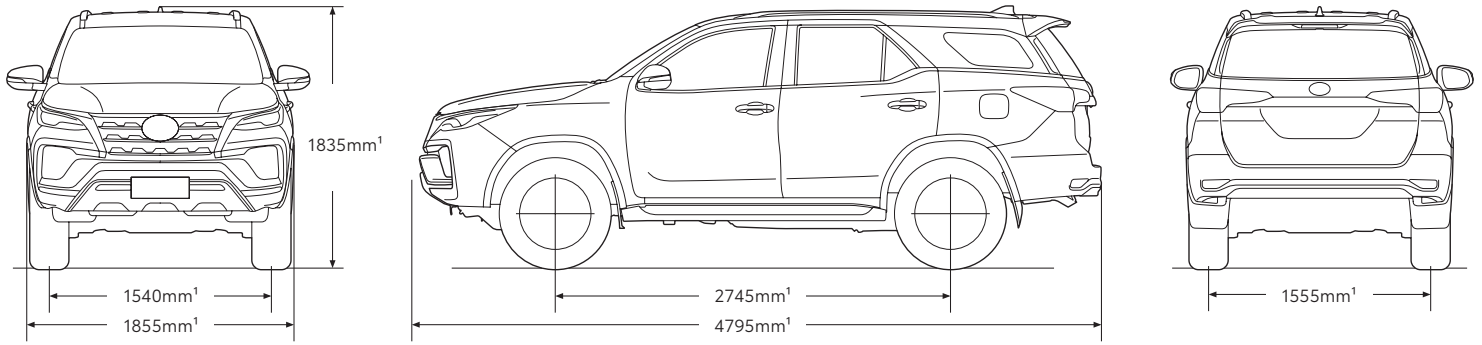


Fortuner



Please Note: information is accurate as at September 2023.

Specification and imagery are indicative and should only be used as a guide. Vehicle and accessory specification, features, colour and trim may differ at the time of vehicle delivery.



FORTUNER MODEL		GX	GXL	Crusade
ENGINE	Engine name	1GD-FTV		
	2.8L turbo diesel	•	•	•
	Number of cylinders and arrangement	4-cylinder, in line		
	Valve mechanism	16V, DOHC, chain drive		
	Displacement (cm ³)	2755		
	Maximum output (kW@rpm)	150 @ 3000-3400		
	Maximum torque (Nm@rpm)	500 @ 1600-2800		
	Bore x stroke (mm)	92.0 x 103.6		
	Compression ratio	15.6:1		
FUEL	Fuel type	Diesel		
	Fuel economy ² (L/100km)	Combined	7.6	
		Urban	9.1	
		Extra-urban	6.8	
	Fuel system	Fuel injection with common-rail		
	CO ₂ emission combined ³ (g/km)	201		
Diesel Particulate Filter (forced burn off) switch	•	•	•	
TRANSMISSION	Type	Automatic		
	Gear ratios	1st 3.600; 2nd 2.090; 3rd 1.488; 4th 1.000; 5th 0.687; 6th 0.580; Reverse 3.732		
	Driveline	Part time 4x4		
BRAKES	Brake type – front/rear	Ventilated disc brake with fixed caliper 4-cylinder		
	Handbrake	Lever type		
STEERING	Type	Power Assisted Hydraulic		
	Turning circle – kerb to kerb (m)	11.6		
SUSPENSION	Suspension	Front: double wishbone configuration / Rear: 5-link coil spring configuration		
	Anti-roll bar	Front and rear		
WEIGHTS AND CAPACITIES (APPROXIMATE)	Towing ⁴ – braked/unbraked (kg)	3100/750		
	Maximum kerb weight ¹ (kg)	2175	2185	2190
	Gross Vehicle Mass ¹ (kg)	2800	2800	2800
	Seating capacity	7	7	7
	Fuel tank capacity (L)	80	80	80
WHEELS	Design and size	17" alloy	17" alloy	18" alloy
	Full size spare wheel	Steel	Steel	Alloy

FORTUNER MODEL		GX	GXL	Crusade
EXTERIOR	Body colour exterior door handles	•		
	Chrome exterior door handles		•	•
	Rear privacy glass		•	•
	Auto-levelling headlamps	•	•	•
	Automatic Bi-LED headlamps – light sensitive	•	•	•
	LED Daytime Running Lamps (DRLs)	•	•	•
	LED fog lamps		•	•
	Roof rails		•	•
	Side steps	•	•	•
	Door courtesy lamps			•
	Body coloured retractable side mirrors	•	•	•
	Front and rear mudguards	•	•	•
	Shark fin antenna	•	•	•
INTERIOR	Leather accented interior		Optional	•
	Premium woodgrain-look steering wheel		•	•
	Driver and front passenger heated seats			•
	60/40 tip and tumble 2nd row	•	•	•
	Split side stowable 3rd row seats	•	•	•
	Folding 2nd row centre armrest	•	•	•
	Front and rear air conditioning	•		
	Front dual zone climate control		•	•
	Front air conditioned cooler box	•	•	•
	Power windows – front and rear	•	•	•
	Electrochromatic rear view mirror			•
INSTRUMENTS AND CONTROLS	Power back door			•
	Smart entry and start system	•	•	•
	Manual tilt and telescopic steering column	•	•	•
	Drive mode select switches	•	•	•
	Rear differential lock	•	•	•
	Paddle shifters		•	•
	Intermittent time adjustable wipers	•	•	•
	4.2" Multi Information Display (MID)	•	•	•
	3x 12V accessory socket – 1x front, 1x rear centre console, 1x cargo area	•	•	•
	220V accessory connector			•
MULTIMEDIA	8" colour touchscreen display	•	•	•
	Satellite navigation		•	•
	USB port	•	•	•
	Digital radio		•	•
	Bluetooth®5 connectivity	•	•	•
	Apple CarPlay®6 and Android Auto™.7 (speak to your Dealer about device compatibility)	•	•	•
	6 speakers	•	•	
	11-speaker JBL®8 premium audio system			•
	Steering wheel controls with audio, MID, voice recognition and telephone controls	•	•	•

FORTUNER MODEL		GX	GXL	Crusade
TOYOTA CONNECTED SERVICES ⁹	Toyota Connected Services ⁹	3 years complimentary access ⁹		
	Stolen Vehicle Tracking ¹⁰	•	•	•
	Automatic Collision Notification ¹¹	•	•	•
	SOS Emergency Call ¹²	•	•	•
SAFETY	Toyota Safety Sense – including Pre-Collision Safety system with pedestrian and daytime cyclist detection, Lane Departure Alert with brake to steer, Active Cruise Control (high speed) and Road Sign Assist (speed signs only)	•	•	•
	Blind Spot Monitor			•
	Rear Cross Traffic Alert (RCTA)			•
	Reversing camera with fixed guidelines	•	•	•
	Panoramic View Monitor			•
	Front and rear parking sensors	•	•	•
	7 SRS airbags	•	•	•
	Seatbelt warning – front seats and 2nd row seats	•	•	•
	3-point seatbelts with Emergency Locking Retractor (ELR)	•	•	•
	Emergency stop signal	•	•	•
	Anti-lock Braking System with Electronic Brake-force Distribution	•	•	•
	Brake Assist	•	•	•
	Vehicle Stability Control	•	•	•
	Hill-start Assist Control	•	•	•
	Downhill Assist Control		•	•
	Trailer Sway Control	•	•	•
Drive Start Control	•	•	•	
ISOFIX child restraint anchorage points	•	•	•	

- Weights/mass/volumes/dimensions are approximate and subject to individual vehicle variances, and should be confirmed before fitting any accessories, towing or otherwise relying on this value.
- Results achieved in ADR81/02 fuel consumption testing. Results produced in laboratory test conditions, using sample vehicles without fitment of accessories/customisation, & do not reflect real world driving. Figures should only be used for comparative purposes.
- Results achieved in ADR81/02 combined drive cycle fuel consumption testing. Urban cycle results achieved 9.1/100km and extra urban cycle achieved 6.8/100km. Results produced in laboratory test conditions, using sample vehicles without fitment of accessories/customisation, and do not reflect real world driving. Figures should only be used for comparative purposes.
- Towing capacity subject to regulatory requirements, and vehicle and equipment design limitations.
- Ask your dealer for more information, including Toyota Genuine Tow Bar capacity and availability.
- Bluetooth® is a registered trademark of Bluetooth SIG, Inc.
- CarPlay® is a trademark of Apple, Inc. registered in the U.S. and other countries.
- Android Auto™ is a trademark of Google LLC.
- Product and company names are trademarks of their respective owners.
- Complimentary period ends 3 years from delivery date. Fees may apply thereafter.
See toyota.com.au/connected/plans-packages

- Not available outside Australia, if service disabled or terminated, or after 2033/Telstra 4G sunset (whichever comes first). Dependent on sufficient battery power, 3G/4G enabled DCM, GPS signal strength, mobile network coverage, operational related components and other factors outside Toyota's control which can limit the ability or functionality of system. Owner/driver required to obtain Police report. Vehicle location information, if available, only provided to Police. Vehicle recovery not guaranteed. For details, visit toyota.com.au/connected/faq-support
- Driver assist feature only. Not a substitute for safe driving practices. Not available outside Australia, if service disabled or terminated, or after 2033/Telstra 4G sunset (whichever comes first). Only activates if vehicle's DCM detects airbag deployment or impact sensor notification. Dependent on 3G/4G enabled DCM, GPS signal strength, mobile network coverage, operational related components and other factors outside Toyota's control which can limit the ability or functionality of system. Check your Owner's Manual or toyota.com.au/connected for explanation of limitations. Please drive safely.
- Driver assist feature only. Not a substitute for safe driving practices. Not available outside Australia, if service disabled or terminated, or after 2033/Telstra 4G sunset (whichever comes first). Only operates if vehicle's SOS button is pressed and vehicle ignition is on. Dependent on 3G/4G enabled DCM, GPS signal strength, mobile network coverage, call centre capabilities and other factors outside Toyota's control which can limit ability or functionality of system. Check your Owner's Manual or toyota.com.au/connected for explanation of limitations. Please drive safely.

IMPORTANT NOTICE – PLEASE READ: Toyota Australia uses its best endeavours to ensure material is accurate at the time of publishing. All information must be confirmed with your Toyota Dealer at the time of ordering, as specifications, applicability and availability may change over time. Colours depicted are a guide only and may vary from actual colours due to the printing/display process. Toyota Australia reserves the right to change and/or discontinue, without notice, models, prices, colours, materials, equipment, specifications. To the extent permitted by law, Toyota Australia will

not be liable for any damage or loss incurred from relying on the information and images contained in this material. Distributed nationally (other than in Western Australia) by Toyota Motor Corporation Australia Limited ABN 64 009 686 097. Material distributed in Western Australia by or on behalf of Prestige Motors Pty Ltd (for vehicles) and by Eastpoint Pty Ltd (for parts/accessories). Toyota Australia makes no warranties regarding (and will not be liable for) accuracy of materials distributed in Western Australia. PROOF HQ: T2023-020389. GTO-007307. VERSION: SEPTEMBER 2023.