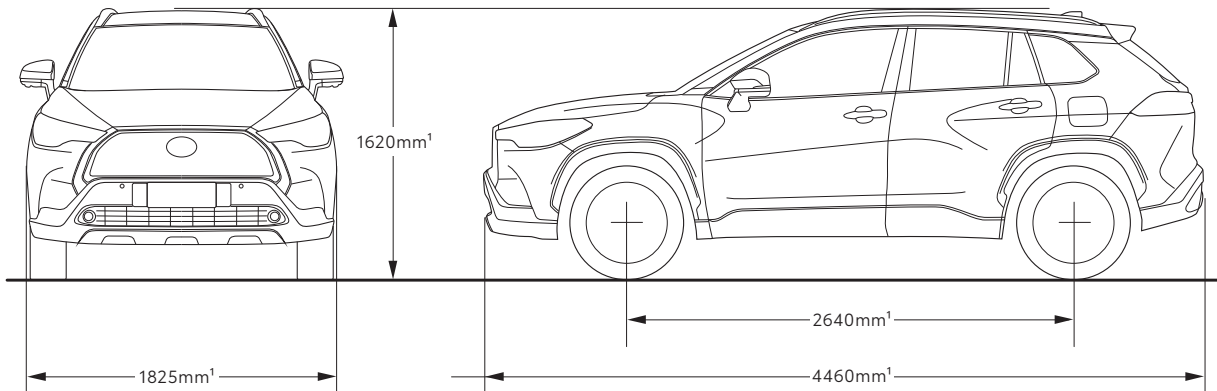


# Corolla Cross



Please Note: information is accurate as at August 2024.

Specification and imagery are indicative and should only be used as a guide. Vehicle and accessory specification, features, colour and trim may differ at the time of vehicle delivery.



MECHANICAL SPECIFICATIONS		Corolla Cross	
ENGINE	Engine description	2.0L 4-cylinder VVT-i engine with Toyota Hybrid Electric System	
	Engine model code	M20A-FXS	
	Valve mechanism	16-valve DOHC, chain drive	
	Bore x stroke (mm)	80.5 x 97.6	
	Displacement (cm <sup>3</sup> )	1987	
	Compression ratio	14.0:1	
	Maximum engine power (kW@rpm)	112@6600	
	Maximum engine torque (Nm@rpm)	190@4400-5200	
	Combined maximum hybrid system power (kW)	146	
FUEL	Fuel type	Petrol	
	Fuel system	Fuel injection	
	Recommended octane rating	91	
	Fuel consumption <sup>2</sup> (L/100km)	Combined	2WD = 4.2; AWD = 4.4
Extra Urban		2WD = 4.5; AWD = 4.6	
Urban		2WD = 4; AWD = 4.2	
BRAKES	Brake type – front and rear	Front ventilated disc brake and rear solid disc brake	
	Park brake	Electronic Park Brake with brake hold	
	Hydraulic and regenerative braking systems	•	
STEERING	Steering gear type	Electric / Rack & pinion	
	Steering type	Electronic Power Steering (EPS)	
	Minimum turning radius (m)	Tyre = 5.2; Body = 5.6	
SUSPENSION	Suspension	Torsion beam 2WD / Trailing arm AWD	
TRANSMISSION	2WD	GX, GXL and Atmos grades	
	AWD	GXL and Atmos grades	
	Type	Continuously Variable Transmission (Auto CVT)	
	Final drive gear ratio	3.605	

COROLLA CROSS GRADE		GX	GXL	Atmos
WEIGHTS AND CAPACITIES <sup>1</sup> (APPROXIMATE)	Seating capacity (persons)	5	5	5
	Cargo space (L)	425	2WD = 425; AWD = 390	2WD = 414; AWD = 380
	Gross vehicle weight (kg)	1930	2WD = 1930; AWD = 2005	2WD = 1930; AWD = 2005
	Maximum kerb weight (kg)	1435	2WD = 1475; AWD = 1545	2WD = 1480; AWD = 1550
	Towing capacity <sup>3</sup> with braking (kg)	750	750	750
	Towing capacity <sup>3</sup> without braking (kg)	750	750	750
	Fuel tank capacity (L)	36	2WD = 36; AWD = 43	2WD = 36; AWD = 43
WHEELS	Design and size	17" alloy	17" alloy	18" alloy
	17" temporary spare wheel	•	2WD only	2WD only
	Tyre repair kit		AWD only	AWD only

COROLLA CROSS GRADE		GX	GXL	Atmos
PERFORMANCE	Maximum speed (km/h)	180	180	180
	Acceleration 0 to 100km/sec	7.5	7.6	2WD = 7.7; AWD = 7.6
COMFORT AND CONVENIENCE	Automatic air conditioning	Single-zone	Dual-zone	Dual-zone
	nanoe™,4 X air conditioning technology			•
	Electric park brake	•	•	•
	Automatic rain sensing wipers			•
	Rear arm rest			•
	8-way power adjustable driver seat			•
	Heated front seats			•
	Heated steering wheel			•
	Centre console box with armrest	•	•	•
EXTERIOR	Daytime Running Lamps (DRLs)	•	•	•
	Heated exterior mirrors	•	•	•
	LED headlamps	•	High grade	High grade
	Shark fin antenna	•	•	•
	Front fog lamps		•	•
	Rear privacy glass		•	•
	Roof rails		•	•
	Sequential turn signals		•	•
INSTRUMENTS AND CONTROLS	Advanced Park Assist			•
	Multi Information Display (MID)	7" colour	7" colour	12" full digital
	Auto retractable side door mirrors	•	•	•
	Power back door with kick sensor			•
	Steering wheel with audio, phone, MID and Toyota Safety Sense controls	•	•	•
	Front 12V socket	•	•	•
	Smart entry and smart start	•	•	•
	USB connection	•	•	•
	USB in centre console storage – Type-C	•		
	USB rear centre console – 2x Type-C		•	•
	Wireless phone charger <sup>5</sup>			•
	Voice Assistant	•	•	•
	Drive mode select (Normal, Eco and Power)	•	•	•
	One touch power windows	•	•	•
INTERIOR	Glove box	•	•	•
	Centre tray	•	•	•
	Cup holders – 2x front	•	•	•
	Cup holders – 2x rear	•	•	4
	Interior trim	Fabric	Leather accented	Premium and leather accented
	Steering wheel	Urethane	Leather accented	Leather accented
	Shift knob	PVC	Leather accented	Leather accented
	Retractable luggage cover	•	•	•
	60:40 folding rear seats	•	•	•
	Electrochromatic rear view interior mirror		•	•
	Illuminated entry system			•
	Panoramic moonroof			•
MULTIMEDIA	6 speakers	•	•	
	9-speaker JBL <sup>®4</sup> premium audio system			•
	8" colour touchscreen display	•		
	10.5" multimedia system with satellite navigation		•	•
	Digital Audio Broadcast (DAB)	•	•	•
	Wireless Apple CarPlay <sup>®6</sup> and Android Auto™, <sup>6</sup>	•	•	•

COROLLA CROSS GRADE		GX	GXL	Atmos
SAFETY AND SECURITY	8 SRS airbags	•	•	•
	Toyota Safety Sense <sup>7</sup> – including All-speed Active Cruise Control with curve speed reduction, Lane Departure Alert with steering assist, Lane Change Assist, Pre-Collision Safety system with pedestrian and daytime cyclist detection, Intersection Turn Assistance, Emergency Steering Assist, Road Sign Assist (speed signs only), Automatic High Beam and Emergency Driving Stop System (EDSS)	•	•	•
	Blind Spot Monitor with Safe Exit Assist	•	•	•
	Rear Cross Traffic Alert	•	•	•
	Immobiliser and alarm	•	•	•
	Reversing camera	•	•	•
	Panoramic View Monitor		•	With see-through moving view
	Parking Support Brake (PKSB) – 4:4 front:rear (objects and vehicles)		Objects and vehicles detection	Objects, vehicles and pedestrian detection
	Anti-lock Braking System with Electronic Brakeforce Distribution and Brake Assist	•	•	•
	Vehicle Stability Control and Traction Control	•	•	•
	Hill-start Assist Control	•	•	•
	Rear seat occupant reminder	•	•	•
	Seatbelt reminder (all seats)	•	•	•
ISOFIX child restraint anchorage points (rear outboard seats)	•	•	•	
TOYOTA CONNECTED SERVICES	Toyota Connected Services <sup>8</sup> – including Safety and Security features, Multimedia Connect, Driving Insights and Remote Connect – accessible via myToyota Connect app	12 months complimentary access		

- Weights/mass/volumes/dimensions are approximate and subject to individual vehicle variances, and should be confirmed before fitting any accessories, towing or otherwise relying on this value.
- Results achieved in ADR81/02 fuel consumption testing. Results produced in laboratory test conditions, using sample vehicles without fitment of accessories/customisation, and do not reflect real world driving. Figures should only be used for comparative purposes.
- Towing capacity subject to regulatory requirements, tow bar and vehicle design and towing equipment limitations. Ask your Dealer for Toyota Genuine tow bar capacity and availability details.
- Product and company names are trademarks of their respective owners.
- Only Qi-supported devices compatible. Refer to device manufacturer. May require additional purchase of accessory to support wireless charging.

**IMPORTANT NOTICE – PLEASE READ:**

Toyota Australia uses its best endeavours to ensure material is accurate at the time of publishing. All information must be confirmed with your Toyota Dealer at the time of ordering, as specifications, applicability and availability may change over time. Colours depicted are a guide only and may vary from actual colours due to the printing/display process. Toyota Australia reserves the right to change and/or discontinue, without notice, models, prices, colours, materials, equipment, specifications. To the extent permitted by law, Toyota Australia will not be liable for any damage or loss incurred

- CarPlay® is a trademark of Apple, Inc. registered in the U.S. and other countries. Android Auto™ is a trademark of Google LLC.
- Driver assist feature. Only operates under certain conditions. Check your Owner's Manual for explanation of limitations. Please drive safely.
- Connected Services complimentary period ends 1 year from delivery date. Fees and charges may apply thereafter. Not available outside Australia or if services disabled or terminated. Dependent on 3G/4G enabled DCM, GPS signal strength, mobile network coverage and other factors outside Toyota's control which can limit ability or functionality of system. Check your Owner's Manual for explanation of limitations. Please drive safely.

from relying on the information and images contained in this material. Distributed nationally (other than in Western Australia) by Toyota Motor Corporation Australia Limited ABN 64 009 686 097. Material distributed in Western Australia by or on behalf of Prestige Motors Pty Ltd (for vehicles) and by Eastpoint Pty Ltd (for parts/accessories). Toyota Australia makes no warranties regarding (and will not be liable for) accuracy of materials distributed in Western Australia. PROOF HQ: T2024-021398. GTP-008411. VERSION: AUGUST 2024.